

Revision Notes.

R1 -

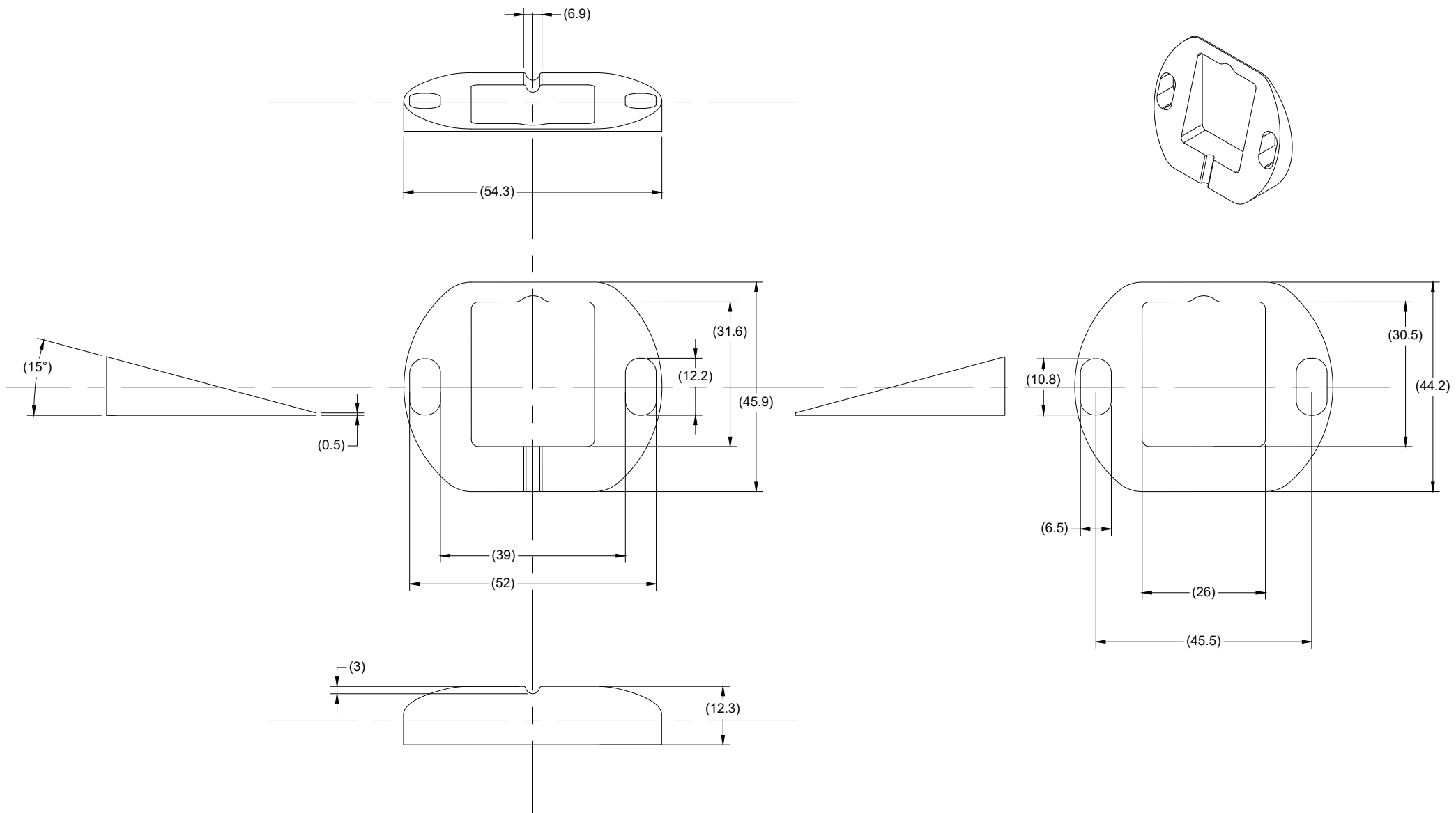
APA: -

Drawn:-

Checked:-

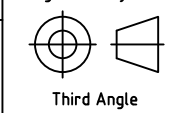
Approved:-

Date: -



- NOTES:
1. FOR LABEL AND PACKAGING DETAILS REFER TO MASTER BOM.
 2. ANY CUSTOMER MODIFICATION OF THIS PRODUCT CAUSING SUBSEQUENT FAILURE IS NOT A LIABILITY OF BRIGADE ELECTRONICS PLC.
 3. DUE TO 3D FDM MANUFACTURING PROCESS, REASONABLE TOLERANCES ARE: $\pm 0.5\text{mm}$ (LINEAR) AND $\pm 1^\circ$ (ANGULAR).
 4. MATERIAL: ASA (ACRYLONITRILE STYRENE ACRYLATE)
 5. COLOUR FINISH: BLACK
 6. 3D PRINT MANUFACTURING PROCESS WITH LAYER HEIGHT = 0.16mm AND INFILL = 25%.

PROPRIETARY NOTICE
 THIS DESIGN AND TECHNICAL INFORMATION APPEARING ON THIS DRAWING IS THE PROPERTY OF BRIGADE ELECTRONICS, AND IS DISCLOSED IN CONFIDENCE. IT IS NOT TO BE COPIED, REPRODUCED, REVEALED TO OR EXPROPRIATED BY OTHERS, EITHER IN WHOLE OR IN PART WITHOUT THE EXPRESS WRITTEN CONSENT OF BRIGADE ELECTRONICS.



Sheet 1 of 1	Assembly Pl Approval N. MENZIES	Approved by R. PENTLEY	Checked by S. LAWAL	Drawn by B. STROHMER
Customer Approval N/A	Angle of Projection	Units mm	Scale N/A	Released 04/09/25
		Status RELEASED	Assembly Ref -	
		Part No 8338	BN360-1000C(WDG) BE-005105-00-25	